

7077

DE **Fahrbare Arbeitsbühne (Fahrgerüst)**
Aufbauanleitung für Frankreich und Österreich

EN **Mobile tower**
Assembly instructions for France and Austria

FR **Échafaudage roulant**
Instructions de montage pour la France et l'Autriche

NL **Rolsteiger**
Opbouw instructie voor Frankrijk en Oostenrijk

ES **Andamio móvil**
Instrucciones de montaje para Francia y Austria

PT **Andaime móvel**
Instruções de montagem para França e Áustria

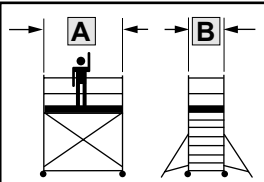
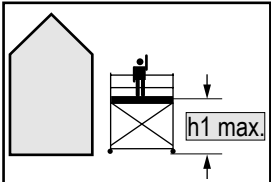
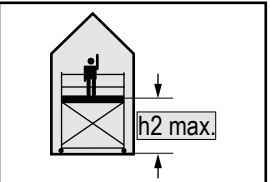
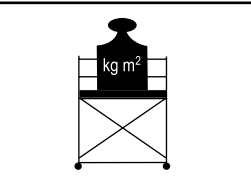
CS **Pojízdná pracovní plošina (pojízdné lešení)**
Montážní návod pro Francii a Rakousko

SK **Pojazdná pracovná plošina (pojzdne lešenie)**
Montážny návod pre Francúzsko a Rakúsko

SL **Premični delovni oder (oder na kolesih)**
Navodila za montažo za Francijo in Avstrijo

HU **Mobil munkaemelvény (mobil állvány)**
Összeszerelési útmutató Franciaországhoz és Ausztriához

EN 1004 - 3 - 7,27 / 8,27 - D - H2

| | | | |
|---|---|---|--|
|  |  |  |  |
| A × B | h1 max. | h2 max. | Max. |
| 2,06 m × 0,72 m | 7,27 m | 8,27 m | 200 kg/m ² (2,0 kN/m ²) |

Hymer-Leichtmetallbau GmbH & Co. KG
Käferhofen 10 | 88239 Wangen | GERMANY
Tel. +49 (0)75 22 700-700 | Fax +49 (0)75 22 700-179
info@hymer-alu.de | www.hymer-alu.de

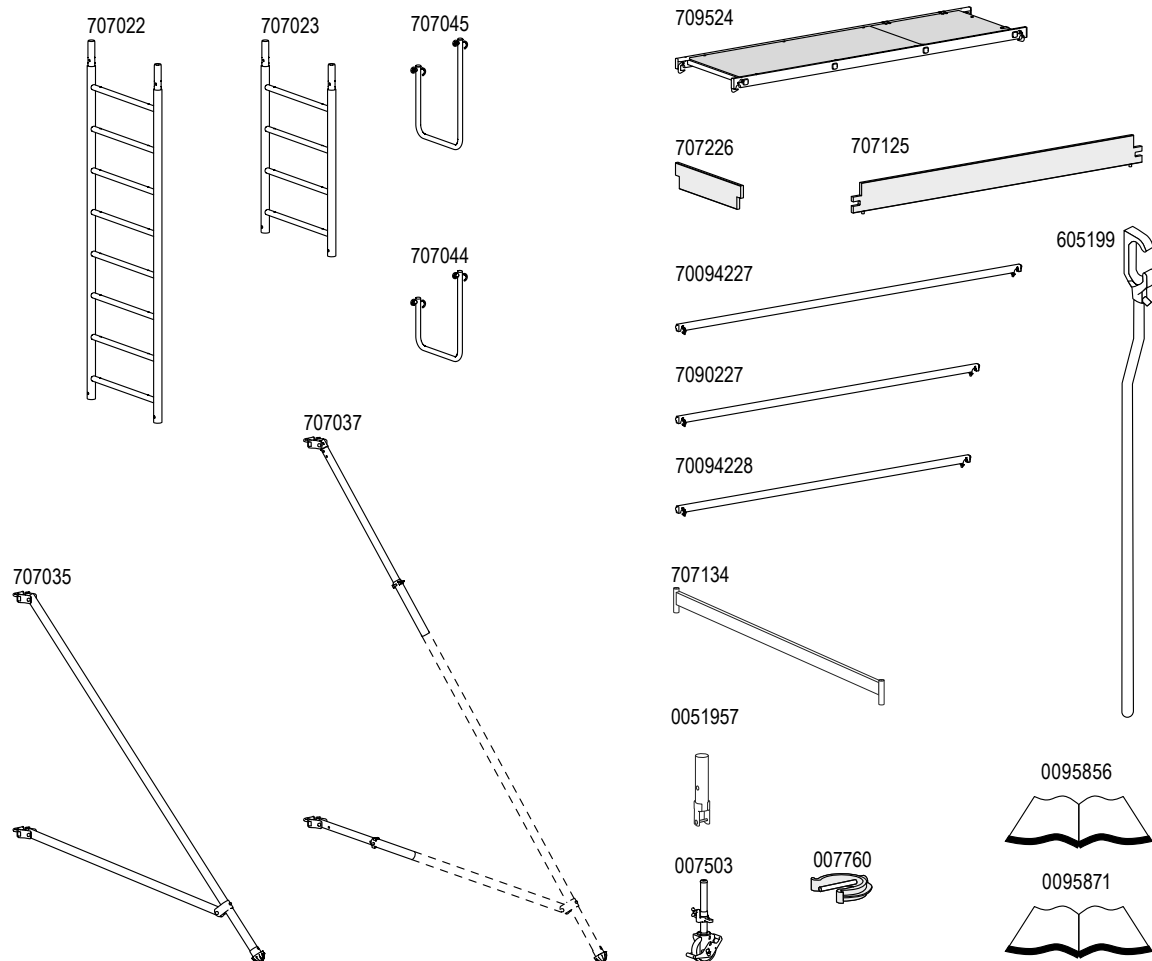
2023-02 0095871 7077 TNR

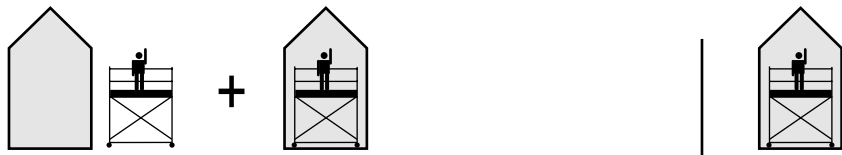
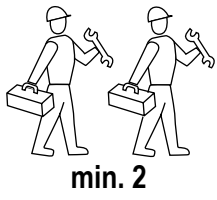
HYMER

A

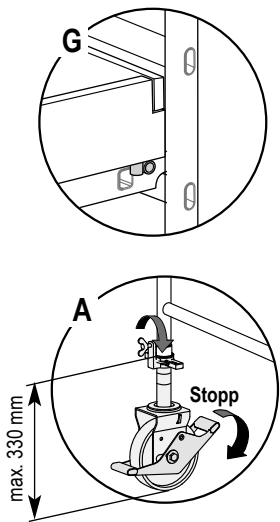
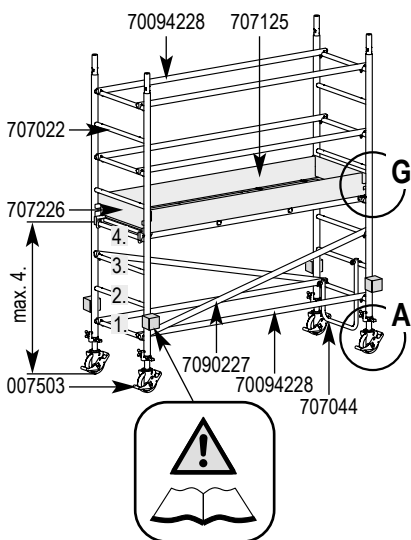
| Nr. | kg | 707703 | 707704 | 707705 | 707706 | 707707 | 707708 | 707709 | 707710 |
|----------|------|--------|--------|--------|--------|--------|--------|--------|--------|
| 707022 | 8,1 | 2 | 2 | 4 | 4 | 6 | 6 | 8 | 8 |
| 707023 | 4,6 | – | 2 | – | 2 | – | 2 | – | 2 |
| 709524 | 10,5 | 1 | 1 | 2 | 2 | 3 | 3 | 4 | 4 |
| 707045 | 0,9 | – | 1 | 1 | 1 | – | – | – | – |
| 707044 | 0,7 | 1 | – | – | – | 1 | 1 | 1 | 1 |
| 707125 | 2,7 | 2 | 2 | 2 | 2 | 2 | 2 | 2 | 2 |
| 707226 | 0,8 | 2 | 2 | 2 | 2 | 2 | 2 | 2 | 2 |
| 70094227 | 1,5 | – | 2 | 2 | 4 | 4 | 6 | 6 | 8 |
| 7090227 | 1,3 | 2 | – | 2 | – | 2 | – | 2 | – |
| 70094228 | 1,3 | 6 | 6 | 10 | 10 | 14 | 14 | 18 | 18 |
| 707134 | 6,0 | – | 2 | 2 | 2 | – | – | – | – |
| 0051957 | 0,8 | – | 4 | 4 | 4 | – | – | – | – |
| 707035 | 5,0 | – | – | – | – | 4 | 4 | 4 | 4 |
| 707037 | 1,5 | – | – | – | – | – | 4 | 4 | 4 |
| 007503 | 3,9 | 4 | 4 | 4 | 4 | 4 | 4 | 4 | 4 |
| 007760 | 0,1 | – | 8 | 8 | 12 | 8 | 12 | 12 | 16 |
| 605199 | 0,7 | – | 1 | 1 | 1 | 1 | 1 | 1 | 1 |
| 0095856 | – | 1 | 1 | 1 | 1 | 1 | 1 | 1 | 1 |
| 0095871 | – | 1 | 1 | 1 | 1 | 1 | 1 | 1 | 1 |
| kg | | 60,4 | 86,9 | 112,2 | 122,2 | 151,7 | 167,7 | 193,0 | 203,0 |
| 707125 | 2,7 | – | – | 2 | 2 | 4 | 4 | 6 | 6 |
| 707226 | 0,8 | – | – | 2 | 2 | 4 | 4 | 6 | 6 |
| kg | | 60,4 | 86,9 | 119,2 | 129,2 | 165,7 | 181,7 | 214,0 | 224,0 |

B

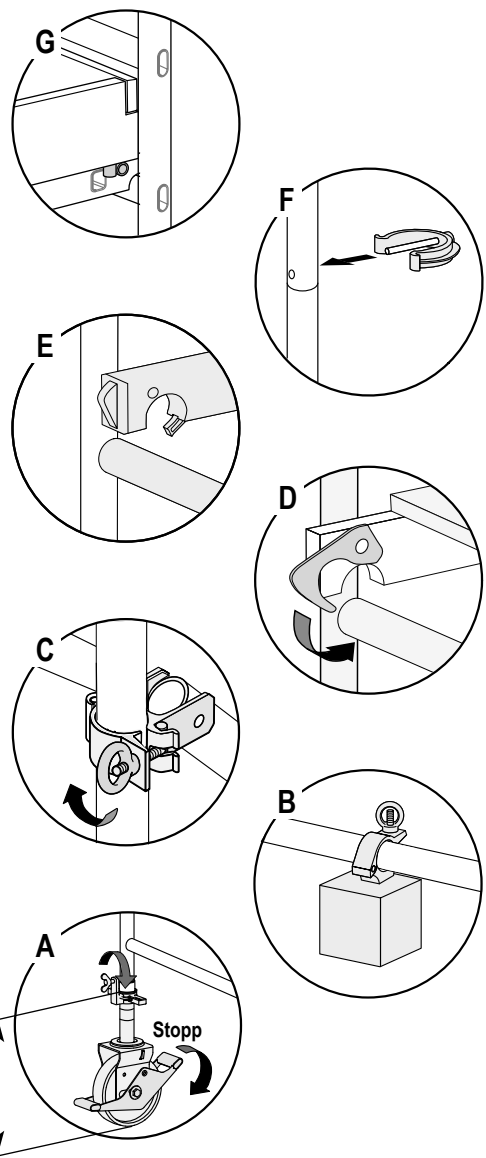




| Typ | 707703 | 707704 | 707705 | 707706 | 707707 | 707708 | 707709 | 707710 |
|-------|--------|--------|--------|--------|--------|--------|--------|--------|
| H (m) | 3,27 | 4,42 | 5,42 | 6,42 | 7,27 | 8,27 | 9,27 | 10,27 |
| (m) | 2,49 | 3,64 | 4,64 | 5,64 | 6,49 | 7,49 | 8,49 | 9,49 |
| h (m) | 1,27 | 2,42 | 3,42 | 4,42 | 5,27 | 6,27 | 7,27 | 8,27 |
| | | | | | | | | |
| | | | | | | | 2 +4 | 3 +4 |
| | | | | | 3 +4 | 2 +4 | 3 +4 | 2 +4 |
| | | | 2 +4 | 3 +4 | 2 +4 | 3 +4 | 2 +4 | 3 +4 |
| | 1a | 1b +4 | 1c +4 | 1b +4 | 1d +4 | 1e +4 | 1d +4 | 1e +4 |



1a

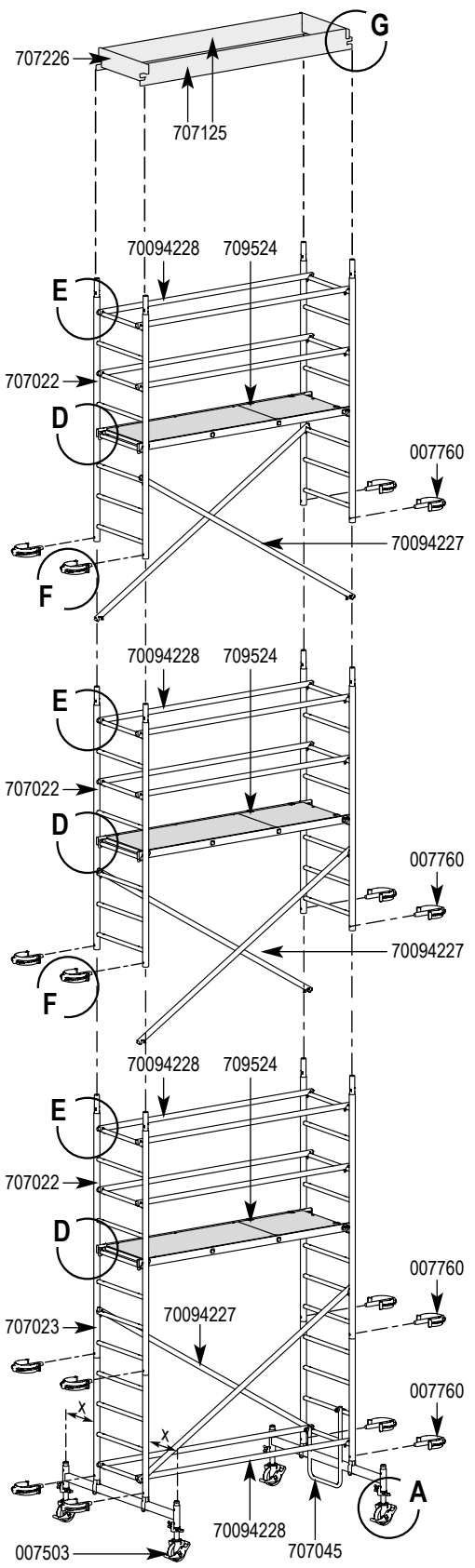


4

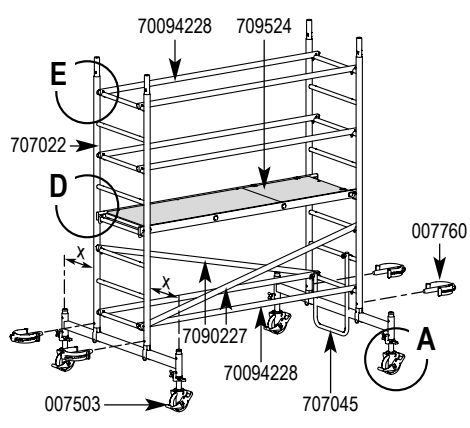
3

2

1b



1c

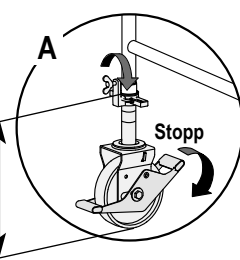
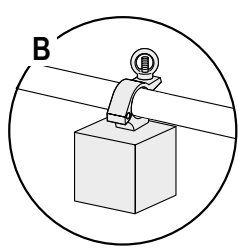
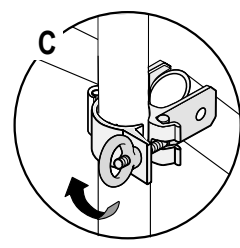
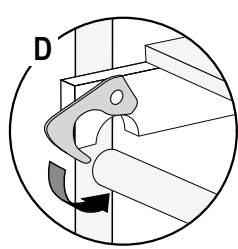
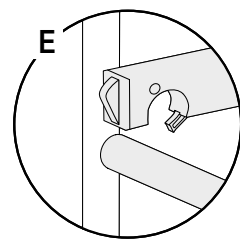
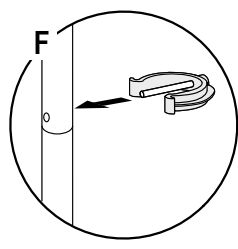
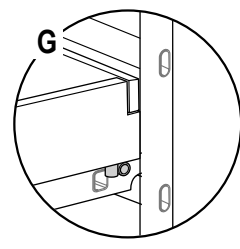
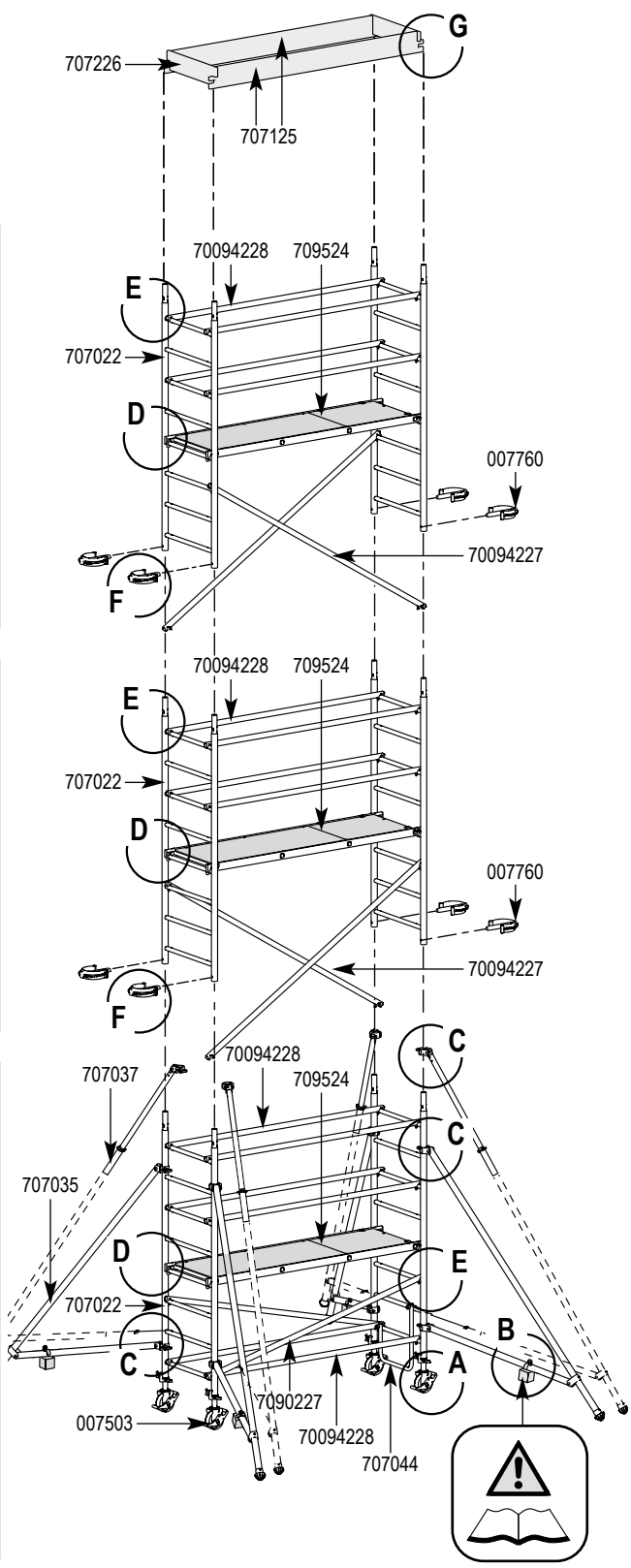


4

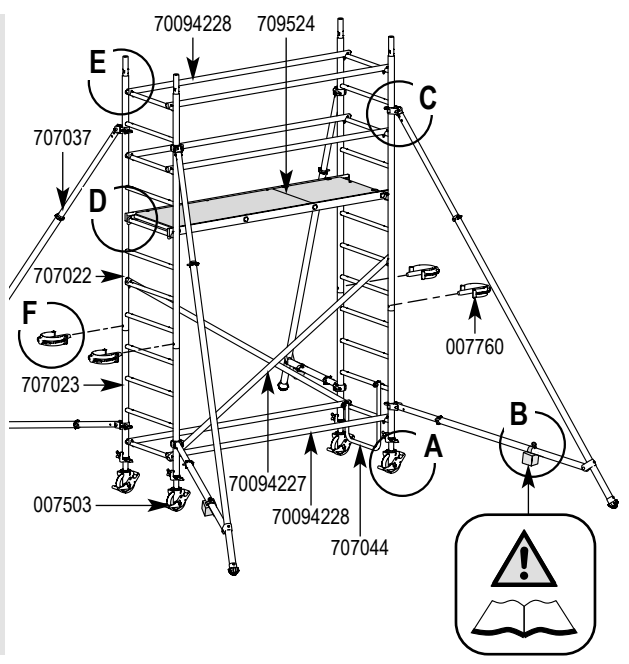
3

2

1d



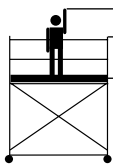
1e



D



| Typ | 707703 | 707704 | 707705 | 707706 | 707707 | 707708 | 707709 | 707710 | | |
|-------|--------|--------|--------|--------|--------|--------|--------|--------|--|--|
| H (m) | 3,27 | 4,42 | 5,42 | 6,42 | 7,27 | 8,27 | 9,27 | 10,27 | | |
| (m) | 2,49 | 3,64 | 4,64 | 5,64 | 6,49 | 7,49 | 8,49 | 9,49 | | |
| h (m) | 1,27 | 2,42 | 3,42 | 5,42 | 5,27 | 6,27 | 7,27 | 8,27 | | |



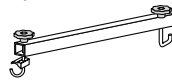
0050879



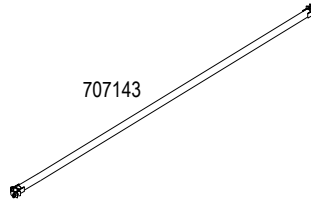
0050985



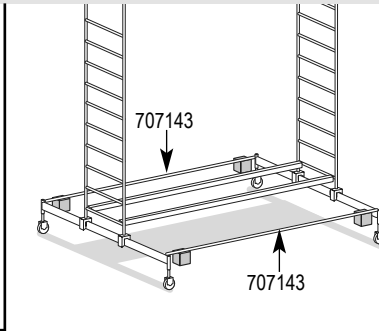
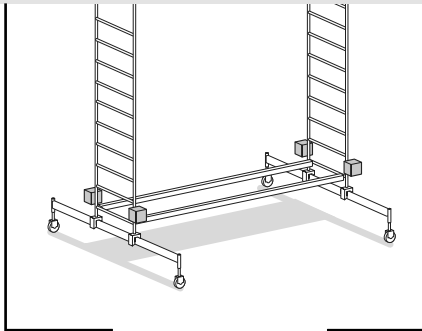
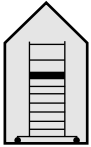
707241



707143

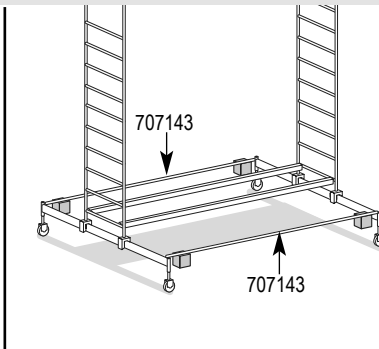
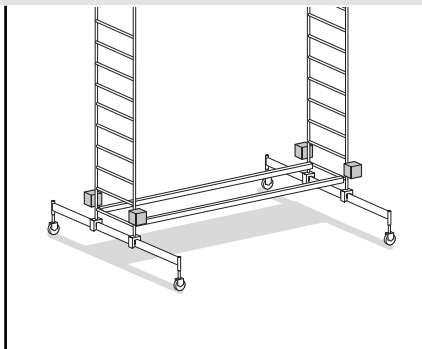
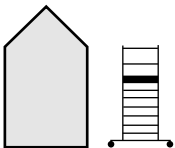


D1



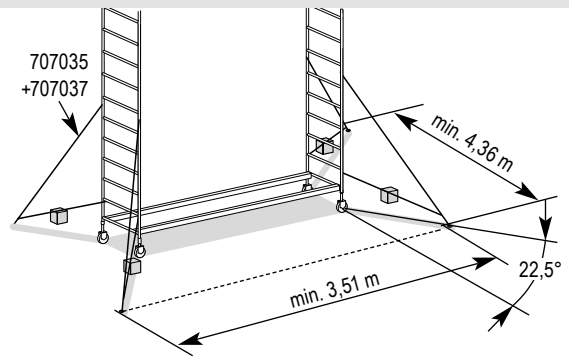
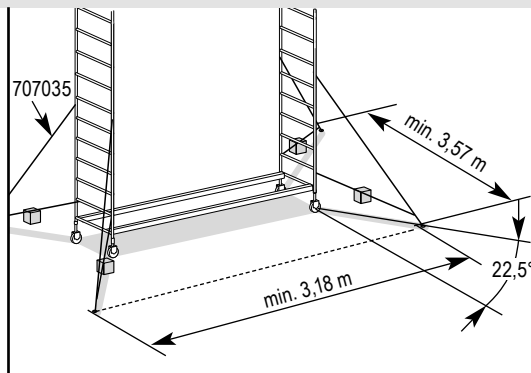
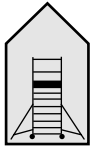
| Nr. | kg | 707703 | 707704 | 707705 | 707706 | 707707 | 707708 | 707709 | 707710 |
|---------|------|--------|--------|--------|--------|--------|--------|--------|--------|
| 0050879 | 10,0 | 4 | 4 | – | – | | | | |
| 0050985 | 15,0 | 4 | – | 4 | 8 | | | | |
| 707143 | 2,7 | – | – | – | 2 | | | | |
| kg | | 100 | 40 | 60 | 120 | | | | |

D2



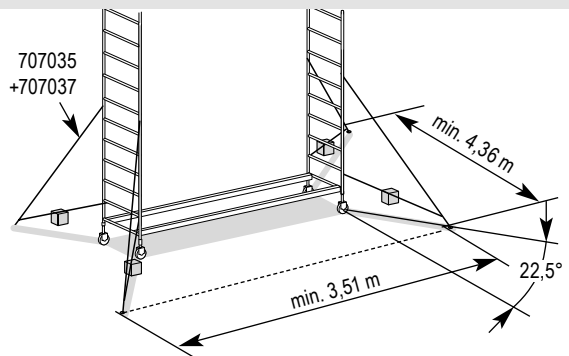
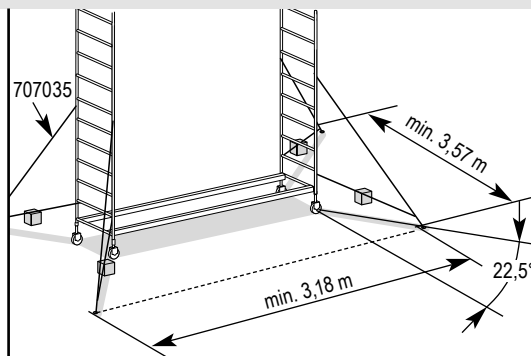
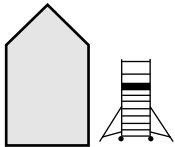
| Nr. | kg | 707703 | 707704 | 707705 | 707706 | 707707 | 707708 | 707709 | 707710 |
|---------|------|--------|--------|--------|--------|--------|--------|--------|--------|
| 0050879 | 10,0 | – | 4 | – | 8 | | | | |
| 0050985 | 15,0 | 8 | – | 8 | 8 | | | | |
| 707143 | 2,7 | – | – | 2 | 2 | | | | |
| kg | | 120 | 40 | 120 | 200 | | | | |

D3



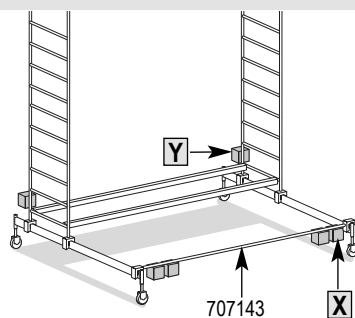
| Nr. | kg | 707703 | 707704 | 707705 | 707706 | 707707 | 707708 | 707709 | 707710 |
|---------|------|--------|----------------|----------------|----------------|--------|--------|--------|--------|
| 0050879 | 10,0 | 4 | 4 | 4 | 4 | - | - | - | 4 |
| 0050985 | 15,0 | 4 | 4 | 4 | 4 | - | - | - | 4 |
| kg | | 100 | 100 | 100 | 100 | - | - | - | 100 |

D4



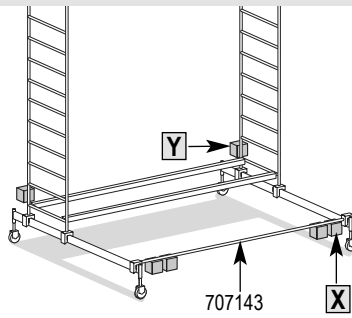
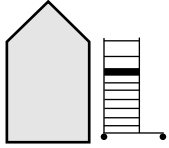
| Nr. | kg | 707703 | 707704 | 707705 | 707706 | 707707 | 707708 | 707709 | 707710 |
|---------|------|--------|----------------|----------------|----------------|--------|--------|--------|---------------|
| 0050879 | 10,0 | - | 4 | 4 | 4 | 4 | 4 | 4 | 4 |
| 0050985 | 15,0 | 8 | 4 | 4 | 4 | - | - | - | 4 |
| kg | | 120 | 120 | 120 | 120 | 40 | 40 | 40 | 40 |

D5



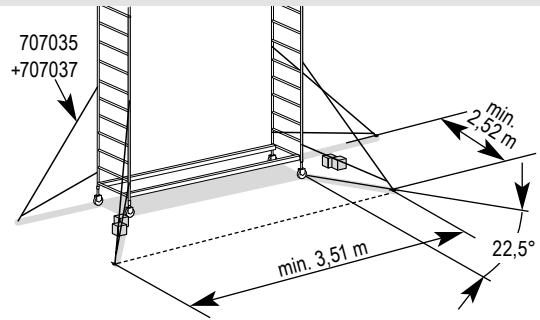
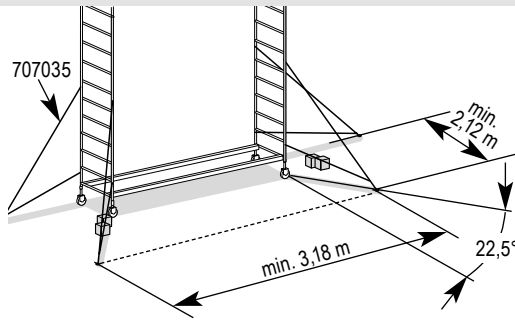
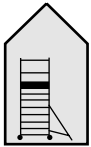
| Nr. | kg | 707704 | 707705 | 707706 | 707707 | 707708 | 707709 | 707710 |
|---------|--|--------|--------|--------|----------------|----------------|----------------|----------------|
| 0050879 | 10,0 <input checked="" type="checkbox"/> | 4 | 4 | 4 | 4 | 4 | 4 | 4 |
| 0050985 | 15,0 <input checked="" type="checkbox"/> | - | 2 | 4 | 4 | 4 | 4 | 4 |
| 0050879 | 10,0 <input checked="" type="checkbox"/> | 4 | 6 | 4 | 4 | 4 | 4 | 4 |
| 0050985 | 15,0 <input checked="" type="checkbox"/> | - | - | 4 | 4 | 4 | 4 | 4 |
| 707143 | 2,7 | 1 | 1 | 1 | 1 | 1 | 1 | 1 |
| kg | | 80 | 130 | 200 | 200 | 200 | 200 | 200 |

D6



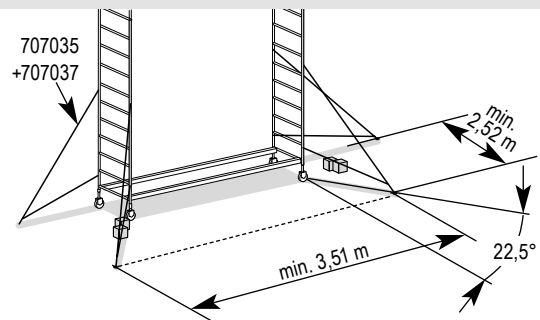
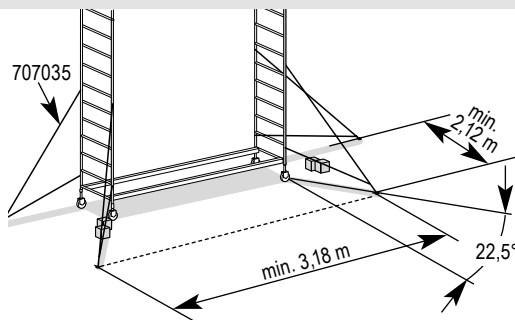
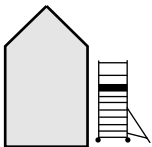
| Nr. | kg | 707704 | 707705 | 707706 | 707707 | 707708 | 707709 | 707710 | |
|---------|--|--------|--------|--------|-----------------------|--------|--------|--------|--|
| 0050879 | 10,0 <input checked="" type="checkbox"/> | 4 | – | 2 | XXXXXXXXXX | | | | |
| 0050985 | 15,0 <input checked="" type="checkbox"/> | – | 6 | 8 | | | | | |
| 0050879 | 10,0 <input checked="" type="checkbox"/> | 4 | – | 4 | | | | | |
| 0050985 | 15,0 <input checked="" type="checkbox"/> | – | 4 | 4 | | | | | |
| 707143 | 2,7 | 1 | 1 | 1 | | | | | |
| | kg | 80 | 150 | 240 | | | | | |

D7



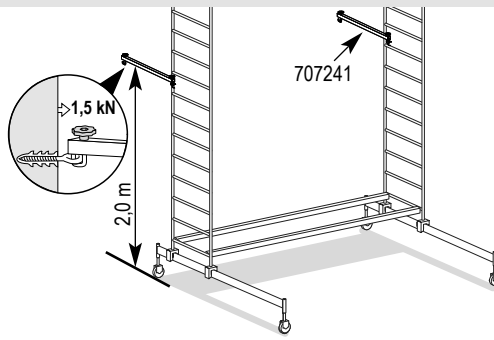
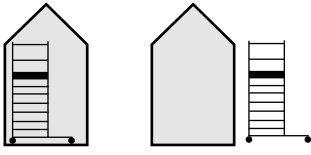
| Nr. | kg | 707704 | 707705 | 707706 | 707707 | 707708 | 707709 | 707710 |
|---------|------|-----------------------|--------|--------|--------|--------|--------|--------|
| 0050879 | 10,0 | XXXXXXXXXX | | | – | 4 | 4 | 4 |
| 0050985 | 15,0 | | | | 10 | 8 | 10 | 12 |
| | kg | | | | 150 | 160 | 190 | 220 |

D8



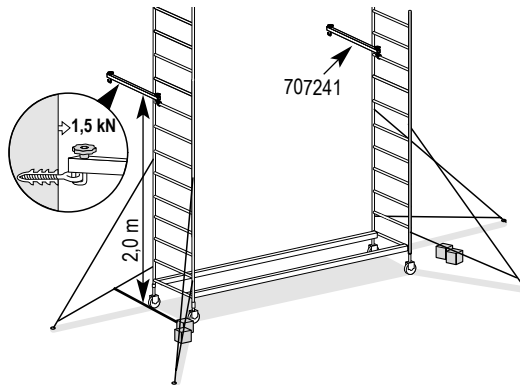
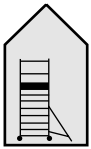
| Nr. | kg | 707704 | 707705 | 707706 | 707707 | 707708 | 707709 | 707710 |
|---------|------|-----------------------|--------|--------|--------|-----------------------|--------|--------|
| 0050879 | 10,0 | XXXXXXXXXX | | | – | XXXXXXXXXX | | |
| 0050985 | 15,0 | | | | 14 | | | |
| | kg | | | | 210 | | | |

D9



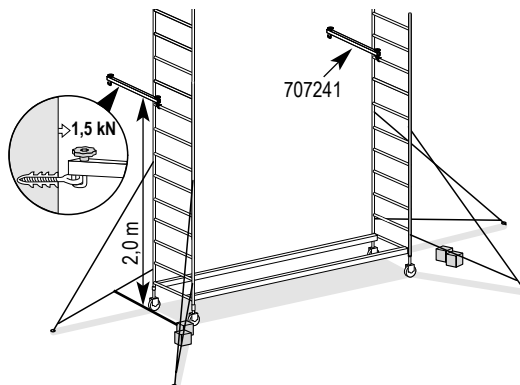
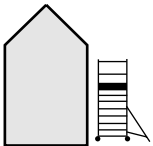
| Nr. | kg | 707703 | 707704 | 707705 | 707706 |
|--------|-----|--------|--------|--------|--------|
| 707241 | 0,5 | 2 | 2 | 2 | 2 |
| kg | | - | - | - | - |

D10



| Nr. | kg | 707707 | 707708 | 707709 | 707710 |
|--------|-----|--------|--------|--------|--------|
| 707241 | 0,5 | 2 | 2 | 2 | 2 |
| kg | | - | - | - | - |

D11



| Nr. | kg | 707707 | 707708 | 707709 | 707710 |
|--------|-----|--------|--------|--------|--------------|
| 707241 | 0,5 | 2 | 2 | 2 | 2 |
| kg | | - | - | - | - |

